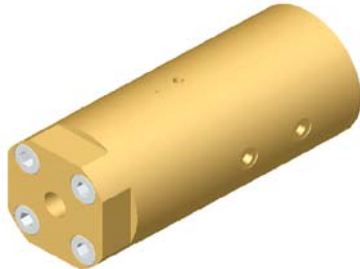


MPG 03 NC / MPG 03 NO



- ▶ 2/2 way valve
 - ▶ function
 - ▶ main materials
 - ▶ seat material
 - ▶ media
 - ▶ approval
 - ▶ suitable for high pressure oxygen service
- externally controlled
 NC or NO
 brass and monel
 PEEK
 inert gases / rare gases /
 CO / O₂ / CO₂ / air
 other media on request
 BAM

technical data

- ▶ pressure range 0 - 420 bar
- ▶ connections BSP 1/4", NPT 1/4"
- ▶ nominal diameter DN 03
- ▶ actuation with 3/2 way pilot valve
- ▶ actuating pressure 7 bar
- ▶ actuating connections 4 mm
- ▶ media temperature from - 40° C to + 80° C
- ▶ ambient temperature from - 40° C to + 60° C
- ▶ vacuum leak rate 10⁻⁶ mbar x l x s⁻¹
- ▶ actuation time / opening type NC 280 - 16000 ms (adjustable with nozzle) / type NO 80 ms
- ▶ actuation time / closing type NC 80 ms (adjustable with nozzle) / type NO 280 - 16000 ms
- ▶ flow direction A > B B > A
- ▶ Kv-value 0,25 m³/ h 0,29 m³/ h

- ▶ length 133 mm
- ▶ width 57 mm
- ▶ weight 2,0 kg

alternative valve types of this series

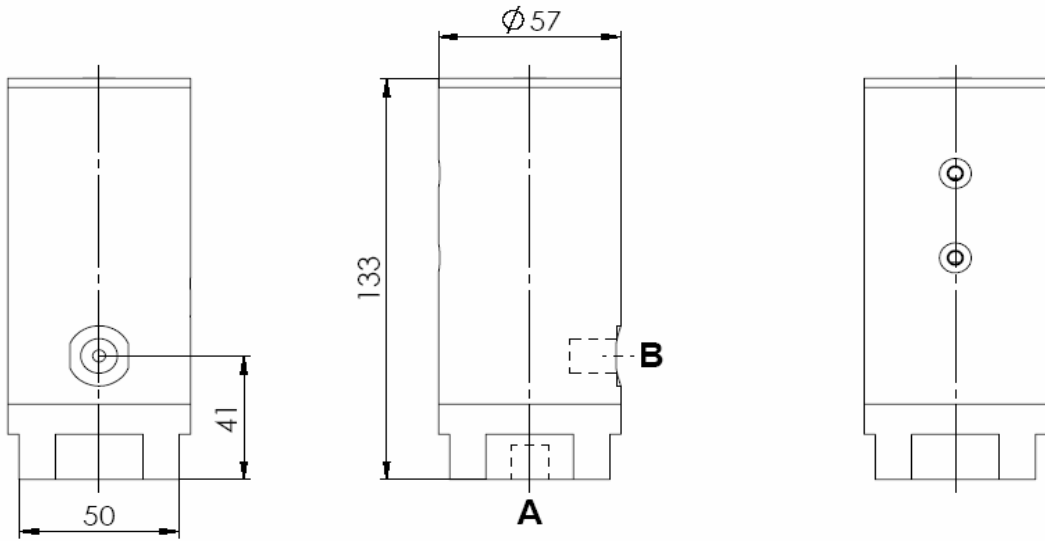
- ▶ manually operated version
- ▶ manual + pneumatic version
 (i. e. pneumatic version with manual override)
- ▶ proportional version

options with these valve types

- ▶ connections made to specification
- ▶ configuration in stainless steel instead of monel
- ▶ limit switches Reed / 24 V-DC
- ▶ assembly in compact manifolds
 (possibility to join up to 5 valves on 1 module)
- ▶ other options on request

technical drawings

MPG 03 NC



MPG 03 NO

